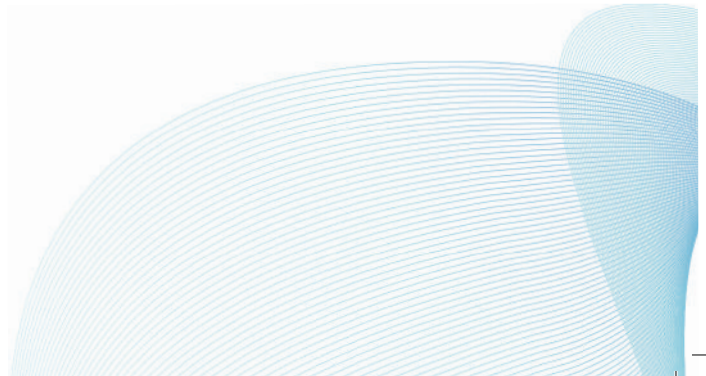




Heating Machine Operating Manual

Model No: V20-100/V20-200



IMPORTANT SAFETY INSTRUCTIONS

BEFORE USING THIS PRODUCT READ ALL INSTRUCTIONS AND CAUTIONARY MARKINGS IN THIS MANUAL AND ON THE APPLIANCE

When using an electrical appliance, basic precautions should always be followed, including the following:

WARNING

- 1 This heater is hot when in use and for a short period after use. To avoid burns, do not let bare skin touch hot surfaces.
- 2 Use only the voltage specified on the rating label of the appliance.
- 3 Do not insert or allow foreign objects or metal utensils into any ventilation or exhaust openings as this may cause an electric shock, fire or damage to the appliance.
- 4 Hold Formthotics Heating Machine V20 with two hands supporting the unit underneath, and not by the shoe rest bar.
- 5 Extreme caution is necessary when any heater is used by or near children or infirm persons and whenever the heater is left operating and unattended.
- 6 Do not allow to be used as a toy. Close attention is necessary when used by or near young children. Children should be supervised to ensure that they do not play with the heater.
- 7 This heater is not intended for use by young children or infirm persons with reduced physical, sensory or reasoning capabilities, or lack of experience and knowledge, unless they have been given supervision or instruction by a responsible person concerning use of the heater to ensure that they can use it safely.
- 8 Suitable for dry locations ONLY. Do not use outdoors or on wet surfaces. Do not use in bathrooms, laundry areas and similar indoor locations. Never locate the heater where it may fall into a bath or other water container. Do not use or store where it may get wet or in the immediate surroundings of a bath, a shower or a swimming pool.
- 9 A heater has hot parts inside. Do not use it in areas where petrol, paint, flammable liquids or high concentrations of dust are used, stored or where their vapours are present. Do not use in conjunction with or directly next to an air freshener or similar products.
- 10 Do not locate directly below a mains electricity supply socket.
- 11 Do not unplug by pulling on the cable. To unplug, grasp the plug, not the cable.
- 12 Do not use with a damaged cable or plug. If the supply cable is damaged it must be replaced in order to avoid a hazard.
- 13 To disconnect the heater, turn the controls off, then remove the plug from the socket. Always unplug the heater when not in use.
- 14 Use only as described in this Operating Manual. Any other use not recommended by the manufacturer may cause fire, electric shock, or injury to persons.

THERMO-FORMING FORMTHOTICS

Formthotics products are made from a unique thermo-formable polyethylene foam allowing them to be customised to the shape of an individual foot and shoe. The full benefit of this customisation is only possible if the product is properly heated and conditioned by this machine and no other method. Achieving an optimal result requires the material to be correctly heated and this is only possible with this machine which is specifically designed and tested to provide the right result. All other methods of heating Formthotics are inadequate and not recommended. This unit is an absolute necessity for properly utilising Formthotics products.

Using this Formthotics Heating Machine V20 and genuine Formthotics is the only reliable and effective way to customise the fit and comfort of modern mass produced footwear to enable the wearers' feet and legs to function in the healthy efficient way nature intended. Modern pavements and mass produced shoes produce harmful adaptive stresses throughout the foot, leg and rest of the body. The technology in modern shoes can be harmful unless the fit and function of the shoes is customised to the wearers' unique feet and patterns of movement.

Inserts which are mass produced by compression forming or individually made outside of the shoes cannot properly integrate the properties of the shoes to the structure and function of the wearer's body. This is only possible with properly heated and thermo-formed GENUINE FORMTHOTICS, the only customisation method that accurately creates a seamless interface between the body and the shoe.

No other products are able to be heated and thermo-formed like Formthotics because of their materials, design and manufacturing process.

Do NOT use this machine on any other products.

IMPORTANT SAFETY FEATURES

For your safety this heater is fitted with automatic cut-out switches that operate if the heater overheats. If the switches operate, unplug the heater and allow it to cool.

Before restarting the heater, check and clear any blockages and ensure the heater is on a solid level surface. If the heater fails to restart, please return to place of supply for service.

TECHNICAL SPECIFICATIONS

MODEL NO	V20-100	V20-200
SUPPLY	100-120V~50-60Hz	230V~50Hz
POWER	550-800W	800W

Declaration of Conformity

We the undersigned

Manufacturer's Name: FOOT SCIENCE INTERNATIONAL LTD

Manufacturer's Address: 26 DAKOTA CRESCENT, WIGRAM, CHRISTCHURCH,
8042, NEW ZEALAND, +6433482115

Authorised Representative: FOOT SCIENCE INTERNATIONAL (UK) LTD

Certify and declare under sole responsibility that the following apparatus:

Description Formthotics Heating Machine

Model V20-200

Manufacturer Foot Science International Ltd

Complies with the essential requirements of the following EU directives, and carries the CE marking;

- Low Voltage Directive 2014/35/EU
- EMC Directive 2014/30/EU
- RoHS Directive 2011/65/EU


Based on application of the following harmonised standards;

- EN60335-2-45:2002 + A1:2008 + A2:2011
- EN6100-6-1:2007
- EN61000-6-3:2007 + A1
- EN61000-3-2:2014
- EN61000-3-3:2013

Signed for and on behalf of Foot Science International Ltd on:

27 March 2019 in Christchurch, New Zealand

By:



Hamish McIntyre
Process and Development Manager

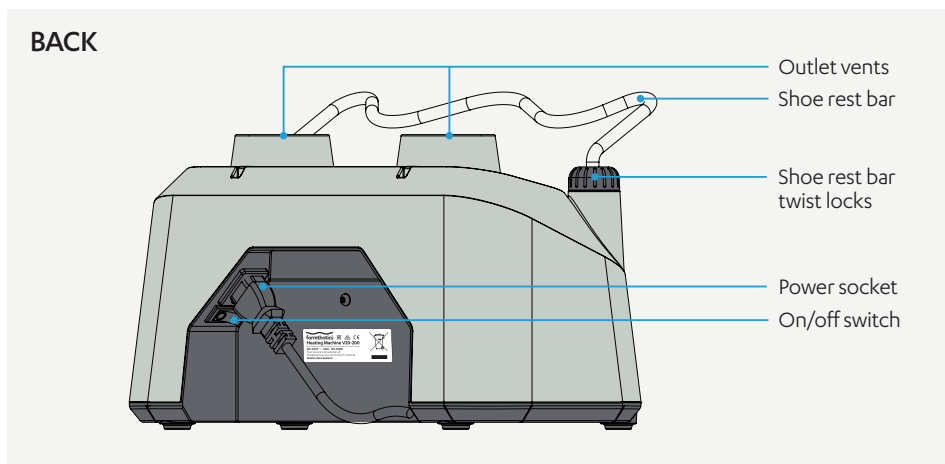
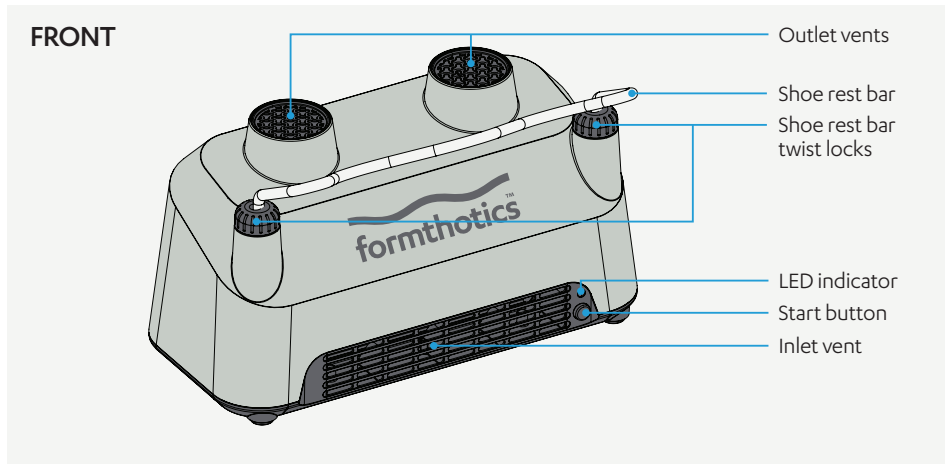
ABOUT THE HEATING MACHINE

The Formthotics Heating Machine V20 is engineered to meet the highest standards of quality and functionality.

It is specifically designed to gently heat any Formthotics orthoses to the optimum temperature for custom moulding to the foot and footwear. It has only one setting and is very easy to use.

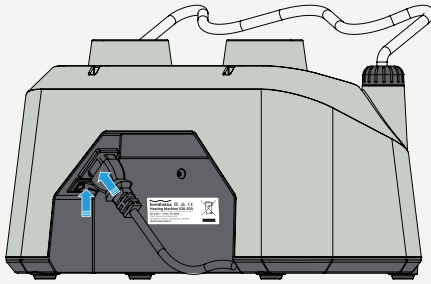
FEATURES

- > Simple push-button operation
- > Shoe rest for stability during heating
- > Heating cycle: 3 minutes
- > Hold cycle: 3 minutes



OPERATION

STEP 1

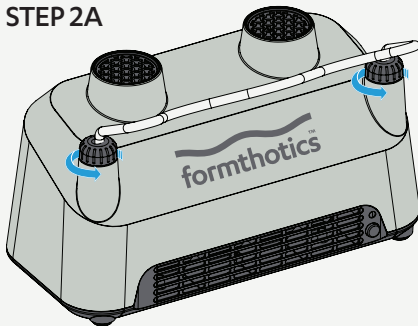


Plug the appropriate power cord into the power socket and switch the unit on using the On/Off switch.

Place Formthotics Heating Machine V20 on a stable, level surface. Allow at least 10 cm or 4 inches of clearance to the front and sides of the machine.

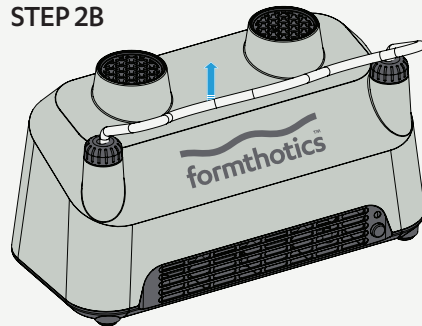
Ensure the Formthotics Heating Machine V20 voltage matches your local rating (100V–120V or 230V). If it does not, do not plug the machine in. Exchange it immediately for the correct version.

STEP 2A



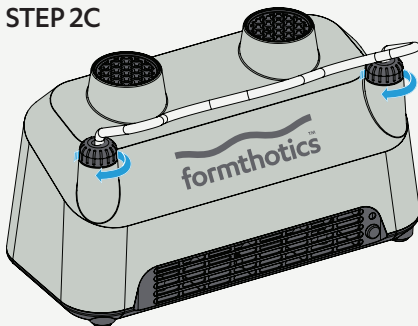
Loosen the shoe rest bar twist locks with a half turn anti-clockwise.

STEP 2B



Adjust the shoe rest bar to an appropriate height.

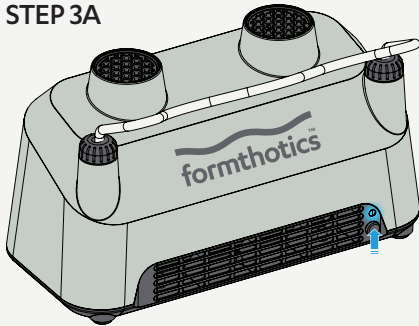
STEP 2C



Once in the correct position, tighten the twist locks by rotating them clock-wise with a half turn.

Remove any existing shoe liners and insert the Formthotics into footwear. Place footwear upside down on top of Formthotics Heating Machine V20, so that the shoe opening is positioned over the outlet with the toe resting on shoe rest bar.

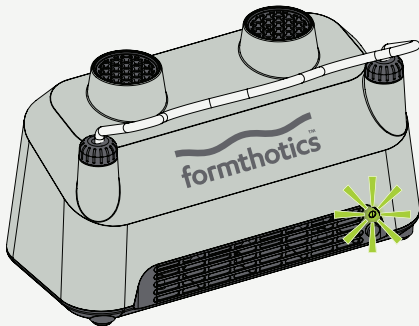
STEP 3A



Press the Start button.

The LED indicator will change from green to blue to indicate the heating cycle has started.

STEP 3B

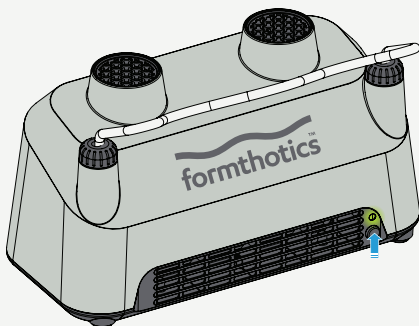


After 3 minutes, the LED indicator will begin to flash green and a buzzer will sound to indicate the heating machine has started a hold cycle to maintain the temperature of the Formthotics. If required, press the button again to cancel either cycle at any point.

Do not leave the machine unattended while in operation.

Note: Outlet vents and top surface of the machine may be hot.

STEP 4



Remove shoes, fit to the customer them immediately and have them stand in them 2-3 minutes to allow Formthotics to mould to the shape of the foot and shoe.

Turn the power switch off.

This machine is intended for heating Formthotics products only. Do not use the machine for any other purpose, or any other brand of orthotic or insole.

WARRANTY & SERVICE POLICY

Foot Science International warrants this product against any defects due to faulty material or workmanship for a two-year period from the date of purchase. The warranty does not include damage resulting from misuse. If the product becomes defective during this period, we will repair or replace it free of charge. Please return the unit to place of supply for service.

Disposal: Please consider recycling or returning this product to Foot Science International for dismantling at the end of its useful life.



Foot Science International Ltd
26 Dakota Crescent, Sockburn
Christchurch 8042, New Zealand

Phone **+64 3 348 2115**

Email **info@formthotics.com**

Visit **formthotics.com**

P399-707-01/FHMV20ManEN